

Ferruccio Laviani, 2000



	colours	code
Supernova	alluminio	FN102007_20
	fucsia	FN102007_66

Lacquered or natural aluminium

Max1x150W E27

White globe bulb recommended Ø 12 cm

⊕ CE IP 20

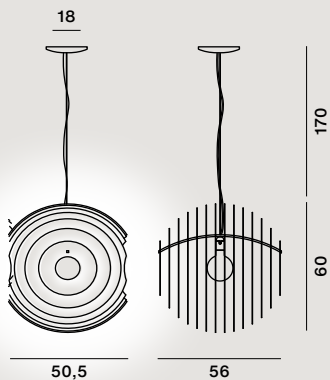
Colours:
alluminio, fucsia



Weight:
Supernova
net kg 8,00

Light bulbs not included
→ specifications p. 198

Decentralization
→ specifications p. 134



Ceiling rose in restyling

